

# Vanmark Centurion Hydrocutter

The Vanmark Centurion Hydrocutter combines modern design with simplicity of operation to produce a dependable, low maintenance in-line cutting system. Our 4" and 5" models has a capacity range of 10,000 to 25,000 lbs. (11,340 kg) of product per hour.



The Centurion is equipped with interchangeable cutter head housings, a variety of knife set configurations can be installed for a wide range of product cuts. The quick change ergonomic design allows the operator to change the cutter head housing in less than 30 seconds.

The one piece Hydro Tube is offered in a variety of sizes to best match a wide range of product diameters. When assembled with the cutter head it is designed to provide excellent alignment. The elastic properties of our patented tube technology results in a smooth flow path to consistently orient the product that reduces spinning or tumbling with less product damage.

## Features



Cutter Head Housing

When combined with Vanmark's Automated Line Switcher using our latest control package downtime can be virtually eliminated. Blades can be changed while product continues to run on a second cutter head. If the system senses a line plug-up it switches to the alternate cutter in less than a tenth of a second, bypassing the blockage and with our fixed head alignment system we can retain exact product alignment to the operating cutter.

Vanmark produces the Centurion in systems ranging from single to multiple lanes to fit any sized project.



Tension Style  
French Fry Cutter Head



Core Remover  
Cutter Head



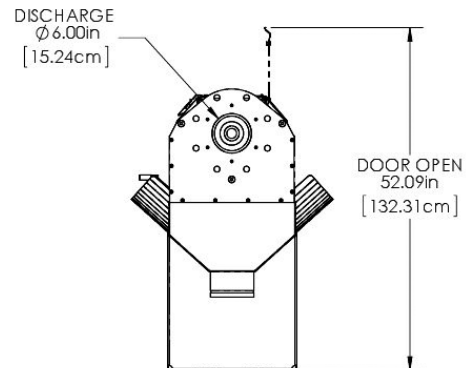
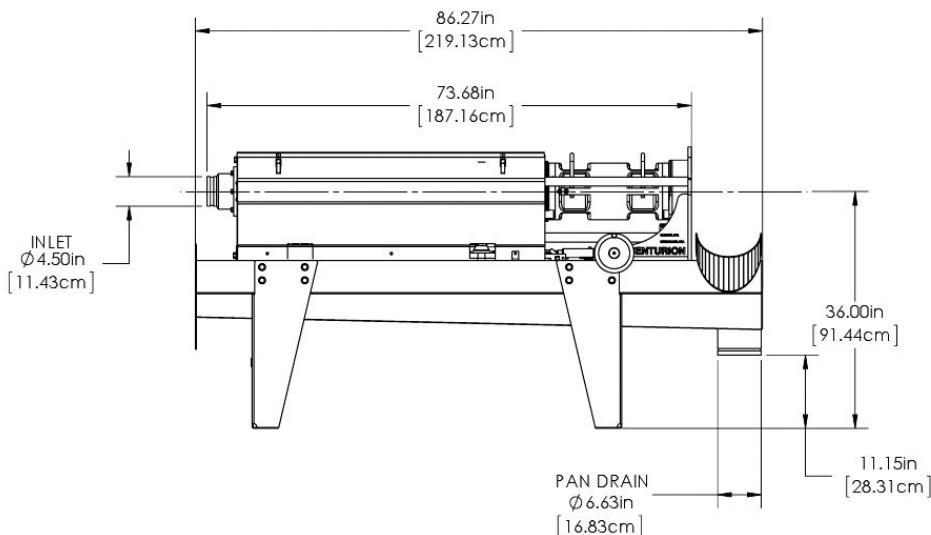
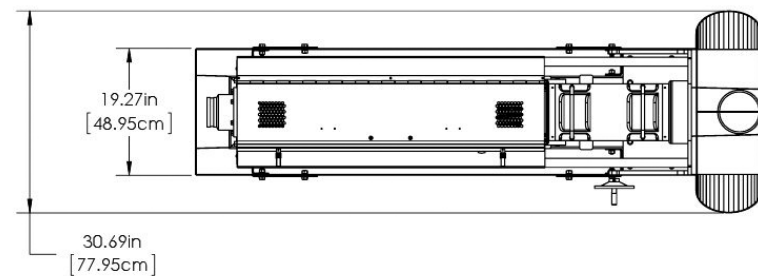
Wedge  
Cutter Head



Specialty  
Cutter Head



## Dimensional Drawings for the Centurion Hydrocutter



### Options

- Available Options:
  - Fully integrated PLC's
  - User Friendly Control Panel
  - Right & Left hand configuration
  - Flow Meter Pressure Sensor
- Available Hydro Tube Exit Sizes: 1.5" to 4.5"

### Specifications

- Dimensions.....86.27in (219cm) Long x 30.69in (77.95cm) Wide 52in (132cm) tall with door open
- Weight..... 1000lb (453kg)
- Product diameter range..... 3/4in (1.9cm) - 4in (10.1cm)

**Inquiries for this product, contact:**

E 1.14

**Vanmark, Boise**  
**4252 South Eagleson Rd.**  
**Boise, Idaho 83705**  
**USA**

**US Tel.: 208-362-5588**

**US Fax: 208-362-3171**

**salesboise@vanmarkequipment.com**



[www.vanmarkequipment.com](http://www.vanmarkequipment.com)

*A Business of the GROTE COMPANY*

Vanmark, Creston  
 300 Industrial Parkway  
 Creston, Iowa 50801  
 USA

US Tel: 740-201-0004

US Toll Free: 800-523-6261

US Fax: 641-782-9209

sales@vanmarkequipment.com